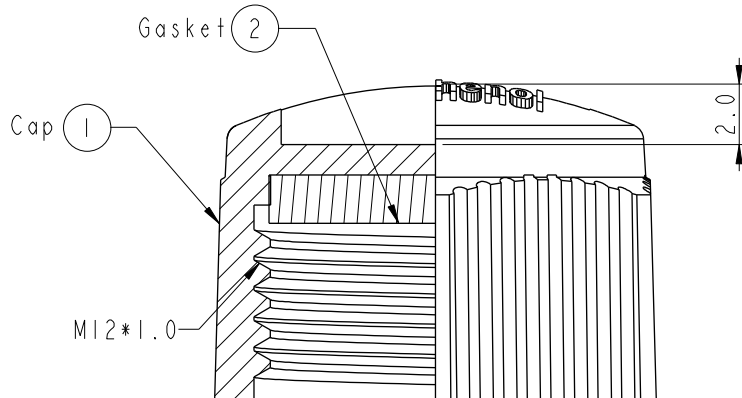
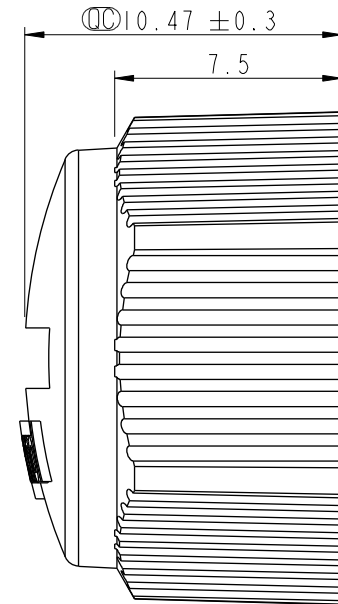
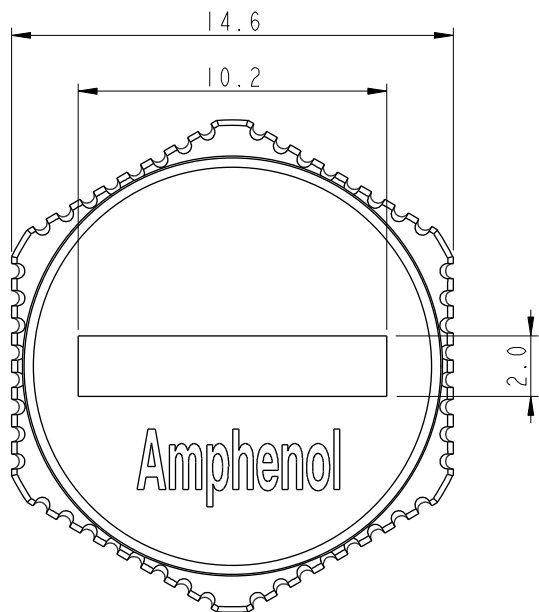


THIS DOCUMENT IS SUBJECT TO CHANGE WITHOUT NOTICE. IT IS CONFIDENTIAL AND A PROPERTY OF Amphenol LTW. DISCLOSURE TO THIRD PARTY HAS TO BE AUTHORIZED BY Amphenol LTW.

REV.	ECN NO.	DATE	SIGN	DESCRIPTION
A	Initial Release	2013/09/12	Vicky	Old Item No. CAP-WBDMMSAI

ALTW
CONFIDENTIAL
2013-09-12
R&D DEPT.

ALTW
DCC. DEPT.
CONFIDENTIAL
2013.09.16
ISSUED



- Note:
- * $\varnothing\varnothing$ Important Dimension.
 - * Waterproof Rate: IP67
 - * Cap: PC+ABS, Black
 - * Gasket: EPDM, Black

UNIT: mm		TITLE Waterproof Cap M12*1.0P For Male Conn Screw Type			<h1>Amphenol LTW</h1> 安費諾亮泰企業股份有限公司	ITEM NO	CAP-WBDMMSAI	DRAWN BY	Vicky	DATE	2013-09-12							
		TOLERANCE	.X ±0.25	SCALE		4:1	SIZE	A4	SHEET	1	OF	1	DWG NO	CAP-WBDMMSAI	CHECKED BY	Sam	DATE	2013-09-12
		.XX ±0.1	REV.	A		WC-REV.	A.1	Inspection item		CUSTOMER	ALTW	APPROVED BY	Rita	DATE	2013-09-12			